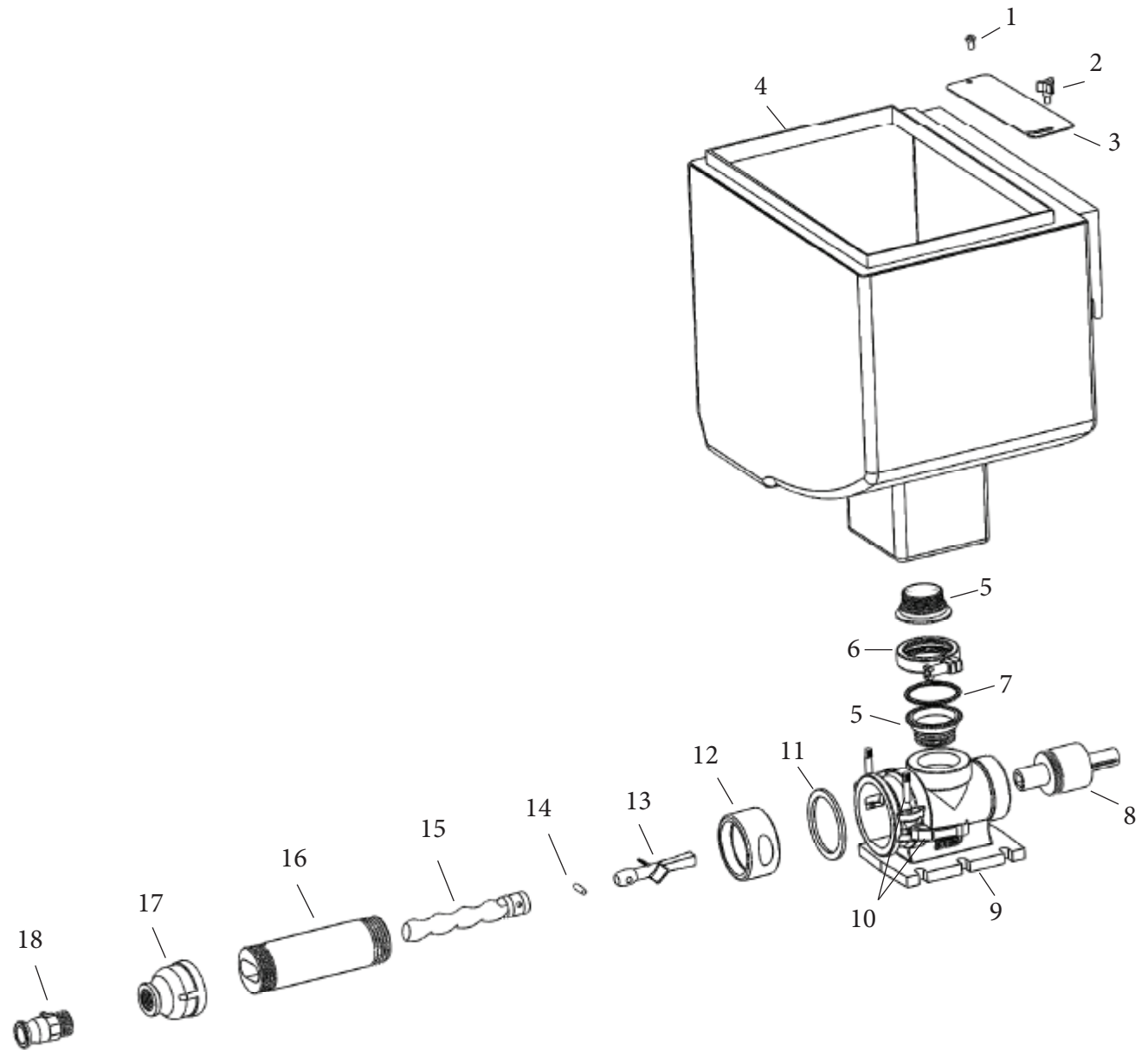


PUMP HOPPER PARTS LIST

1. 13-003 Pam Screw
2. 13-002 Thumbscrew
3. 13-004 Tray Cover
4. 13-092-N Hopper with Cover
5. 19-019 Lower Hopper Fitting
6. 19-016 S.S Clamp
7. 19-048 Gasket
8. 19-027DC Cartridge Assembly
9. 19-010 Main Block
10. 19-075 Pin & Arms
11. 19-074 O-ring
12. 19-073 Stator Fitting
13. 19-1531 Connecting Rod
14. 19-008 Dowel Pin
15. 19-012 Rotor
16. 19-011 Stator
17. 44605K329 Reducer
18. 13-091SS 1" M x M connection



Note:

Hopper lid not shown; included with the hopper when ordered
 Clamp that secures item 14 not shown; can be replaced with a hose clamp
 Item 8 has a grease fitting in the back; insert grease weekly