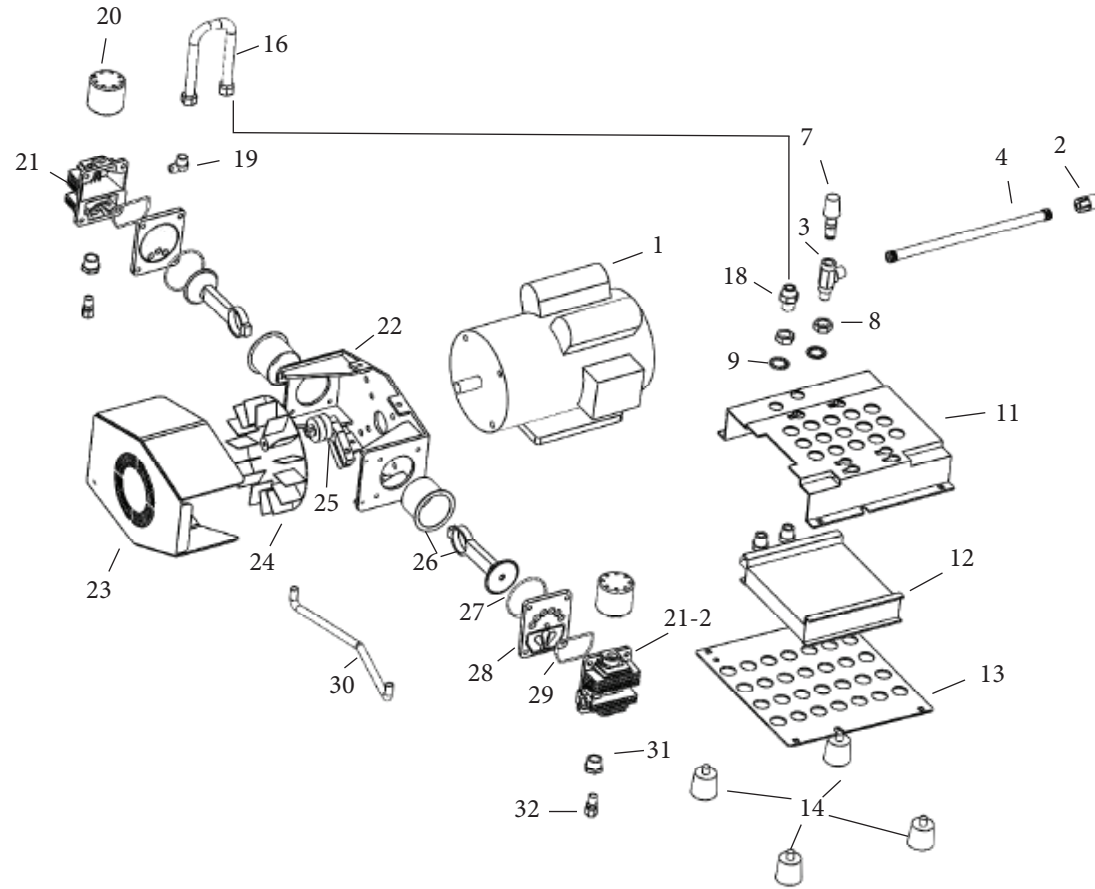


20-100-A PARTS LIST

- | | | |
|-------|------------|---------------------|
| 1. | 19-037/1.5 | Electric motor |
| 2. | 16-012 | Air Coupler |
| 3. | 14-001 | Special Tee |
| 4. | 18-003 | Air tube |
| 7. | 13-068-AJ | Safety Air valve |
| 8. | 20-098 | Nut |
| 9. | 20-099 | Washer |
| 11. | 17-077 | Base |
| 12. | 17-063 | Cooler |
| 13. | 18-093 | Bottom Cover |
| 14. | 14-024 | Bumper |
| 16. | 18-061 | Pressure Hose |
| 18. | 18-062 | 1/2" x 1/4" |
| 19. | 18-058 | Elbow Air Outlet |
| 20. | 18-054 | Air Filter |
| 21. | 15-038 | Left Head |
| 21-2. | 15-038-2 | Right Head |
| 22. | 18-051 | Main Housing |
| 23. | 18-052 | Housing Cover |
| 24. | 17-617 | Fan |
| 25. | 18-056-Ass | Crank Assembly |
| 26. | 17-010 | Rod |
| 27. | *** | O-ring Cyl |
| 28. | 17-0386 | Valve Plate |
| 29. | *** | O-ring Valve Plate |
| 30. | 15-001 | Brass Tube |
| 31. | 15-056 | Compression Fitting |
| 32. | 15-002 | Brass Fitting |



Note:

Parts marked *** included with item 26

Screws and nuts not shown in the image