

G5 Part Number 16-400A. and 16-400M

Ez-Tex G5 Operational Instructions

1. Before attempting to use the G5 check material manufacturer for mixing and spraying instructions.
2. Check the G5 Hopper and make sure it is absolutely free from foreign debris.
3. Pull pressure regulator knob and turn counterclockwise all the way until a stop.
4. Select the proper spray tip for the finish you need and install onto the gun.
5. Close air valve on the gun to stop the air from flowing out.
6. Connect material hose and air hose to the G5.
7. Connect material hose and air hose to gun.
8. Mix the material you're working with.
9. Check material viscosity with funnel supplied, make sure it flows as thick as possible without lumps.
10. Pour material into hopper.
11. Cover the G5 with the lid supply.
12. Turn on your air compressor and make sure the pressure is not exceeding 100psi.
13. Connect airline to G5 air inlet connector. (A1)
14. Turn pressure regulator clockwise until material starts flowing in the hose. (A2)
15. Trigger gun to purged air from hose spraying into a different bucket.
16. Open air valve to allow the material to atomize.
17. Spray on a test surface making sure you have the desired spray finish.
18. Lock pressure regulator on your setting by pushing knob to secure setting.
19. For cleaning go back to step # 12 and flush with water, when clean insert 1 blue ball into the hose run with water until hose is clean, if not clean repeat cleaning steps.

- Note:**
- A. Always practice with clean water before supplying any material to the G5.
 - B. Always test spray before applying on the finish surface.
 - C. Never use material that dries in less than 30 minutes.



Ez-Tex G5 Micro Topping Operational Instructions

1. Before attempting to use the G5 check material manufacturer for mixing and spraying instructions.
2. Check the G5 Hopper and make sure it is absolutely free from foreign debris.
3. Pull pressure regulator knob (A2) and turn counterclockwise all the way until a stop.
4. Connect air regulator kit p/n 15-285 to air outlet (A4).
5. Connect material line adapter p/n 15-281 to material hose p/n 10-220.
6. Connect material hose adapter to the G5 material outlet (A3).
7. Connect material hose and air hose to Colcrete gun.
8. Mix the material you're working with.
9. Check material viscosity we recommended to mix as paint viscosity, and making sure material is not draying to fast.
10. Pour material into hopper.
11. Cover the G5 with the lid supply.
12. Turn on your air compressor and make sure the pressure is not exceeding 100psi.
13. Connect airline to G5 air inlet connector (A1).
14. Turn pressure regulator clockwise until material starts flowing in the hose.
15. Trigger gun to purged air from hose spraying into a different bucket.
16. Adjust pressure regulator (A2) to allow material to flow out from the gun to a distance of 18".
17. Turn p/n 15-285 pressure regulator clockwise until material pressure at 50psi.
18. Make a spray test on a deferent working surface.
19. For final adjustment use the gun air or material knob.
20. When finish make sure to clean the sprayer immediately to eliminate material to dry in the sprayer.

Note:

- A. Always practice with clean water before supplying any material to the G5.
- B. Always test spray before applying on the finish surface.
- C. Never use material that dries in less than 30 minutes.
- D. Material must be strained before use to avoid clogs in the gun.
- E. We recommend to use the Benron air compressor p/n 18-550 or 18-600



Basic pump operations

DO NOT OPERATE THE EQUIPMENT WITHOUT FIRST READING AND UNDERSTANDING THE SAFETY PRECAUTIONS IN THIS MANUAL.

NOTE: If unfamiliar with the proper techniques for spraying textured material, read and understand "Proper Use of Gun" in this section before starting the equipment.

Flushing Hose

Flush material from hose before use, to remove sediment.

1. Fill hopper about 1/4 full of water.
2. Close gun air shut-off valve to facilitate priming the unit.
3. Trigger gun into hopper for a few minutes to circulate the water and flush material from the hose.
4. Trigger gun into a container to empty.
5. Open the gun air shut-off valve.

Mixing Material

This unit is designed for use with water-based materials only.

CAUTION: Do not use solvent-based materials. Do not use cementitious materials. Use of wrong materials can seriously damage the unit.

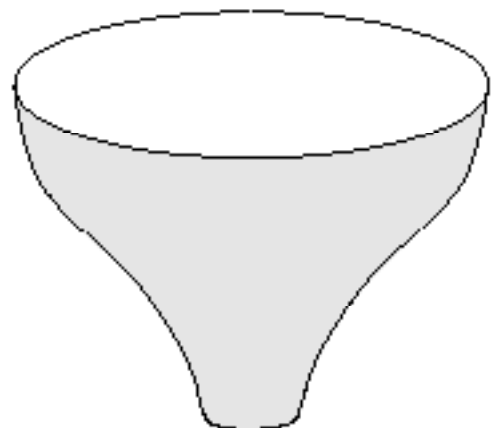
Follow the instructions on the material bag. Proper mixture is imperative. Use clean water and mix to a smooth consistency before pouring it into hopper. The pump will not operate if the material is too thick.

NOTE: Let material set for 30 to 45 minutes after mixing, before putting it in hopper.

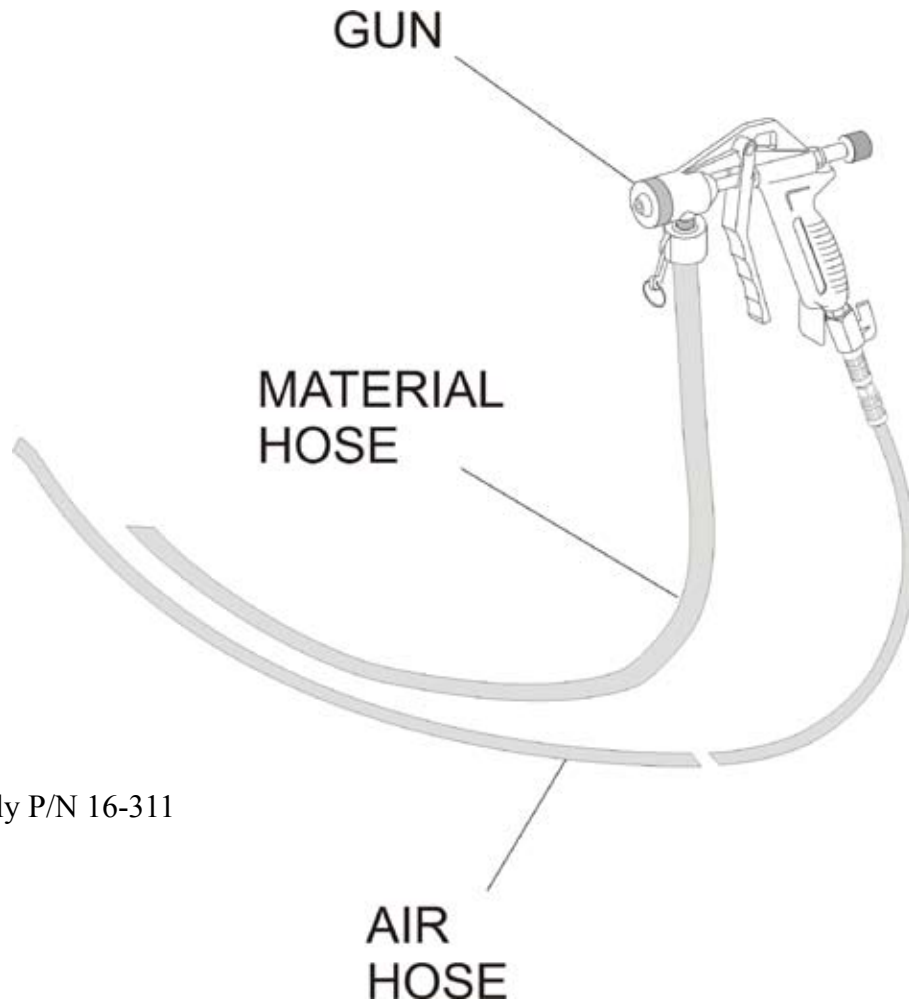
USE THE FUNNEL FURNISHED WITH THE EQUIPMENT TO CHECK THE MIXTURE.

THE MATERIAL SHOULD BE AS THICK A MIXTURE AS WILL RUN THROUGH THE FUNNEL WITH A NICE EVEN FLOW.

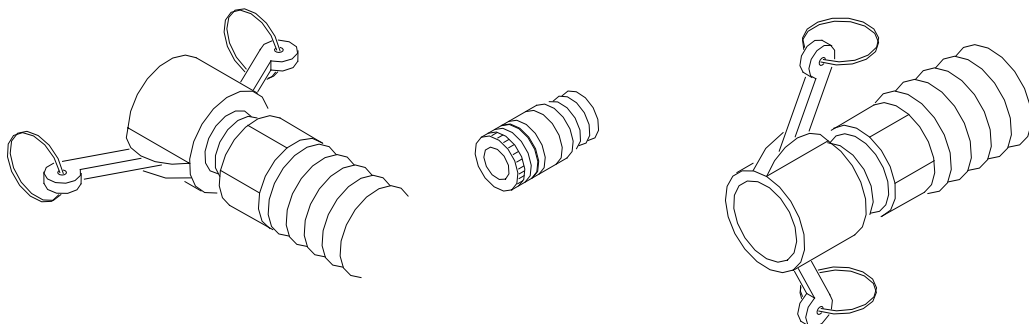
IMPORTANT ↗



Gun and Hose assembly

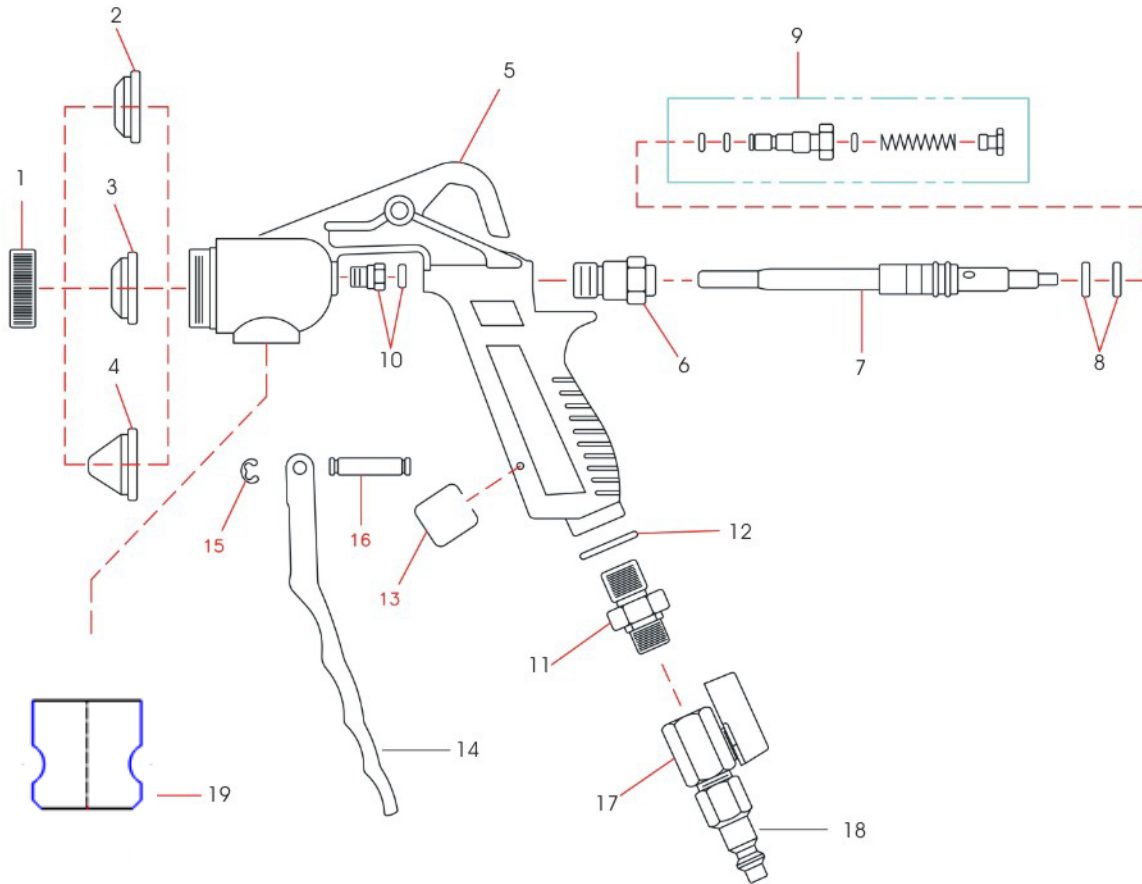


Gun assembly P/N 16-311



Hose assembly P/N 13-060/G5

P/N 16-311 Gun assembly



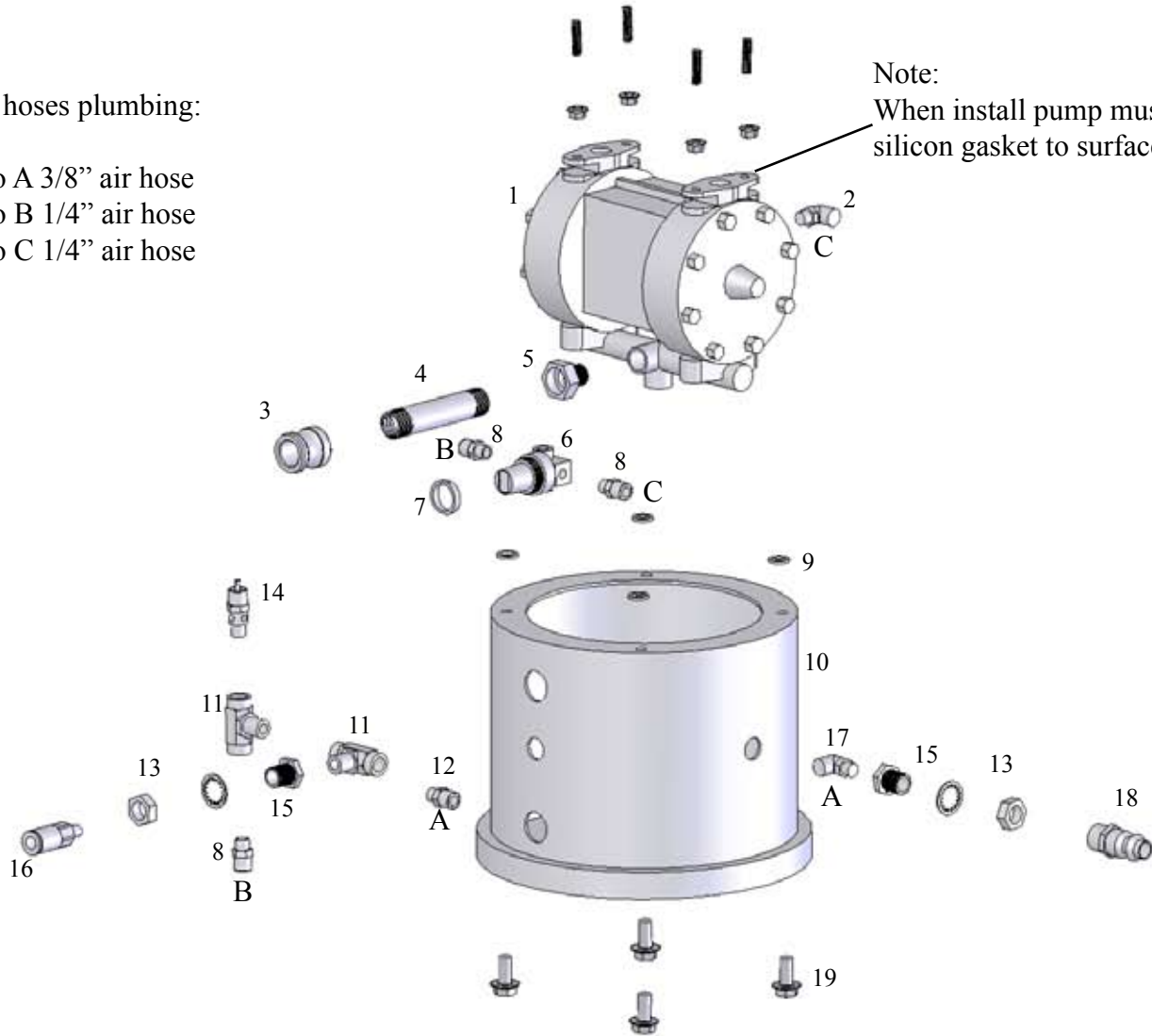
Item	Part Number	Description	Qty
1	16-107	Retaining Ring	1
2	16-103	Tip 3/16"	1
3	16-105	Tip 1/4"	1
4	16-106	Tip 5/16	1
5	16-108	Gun Body	1
6	16-300	Nut Guid	1
7	16-301	Gun Needle Assy	1
8	10-116	"O"-Ring	4
9	16-302	Fluid Control Assy	1
10	10-228	Needle Fitting Includes "O"-Ring	1
11	16-303	Air Fitting	1
17	10-110	Air valve	1
13	10-122	Sefty Clip Trigger	1
14	10-108	Gun Trigger	1
15	10-113	E-Ring	2
16	16-114	Trigger Pin	1
18	10-123	Air Fitting	1
19	10-304	Fluid Fitting	1

G5 lower assembly

Air hoses plumbing:

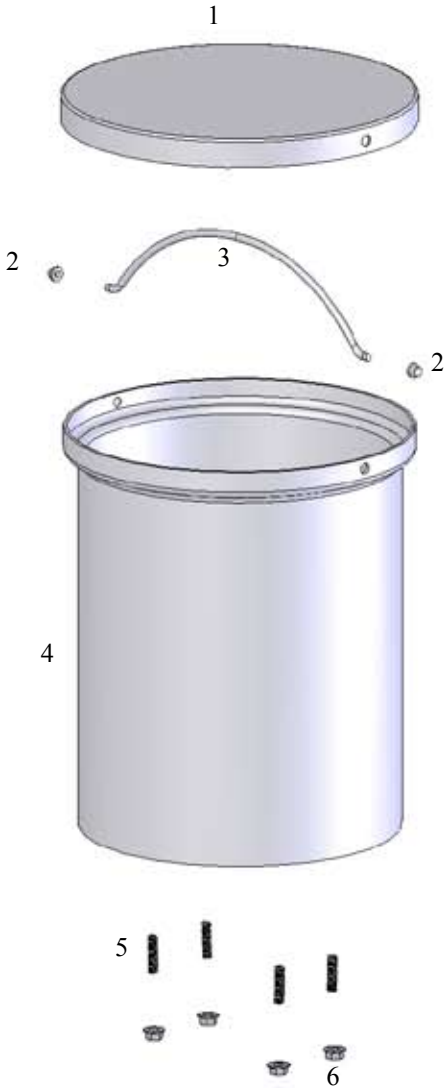
A to A 3/8" air hose
 B to B 1/4" air hose
 C to C 1/4" air hose

Note:
 When install pump must add clear silicon gasket to surface.



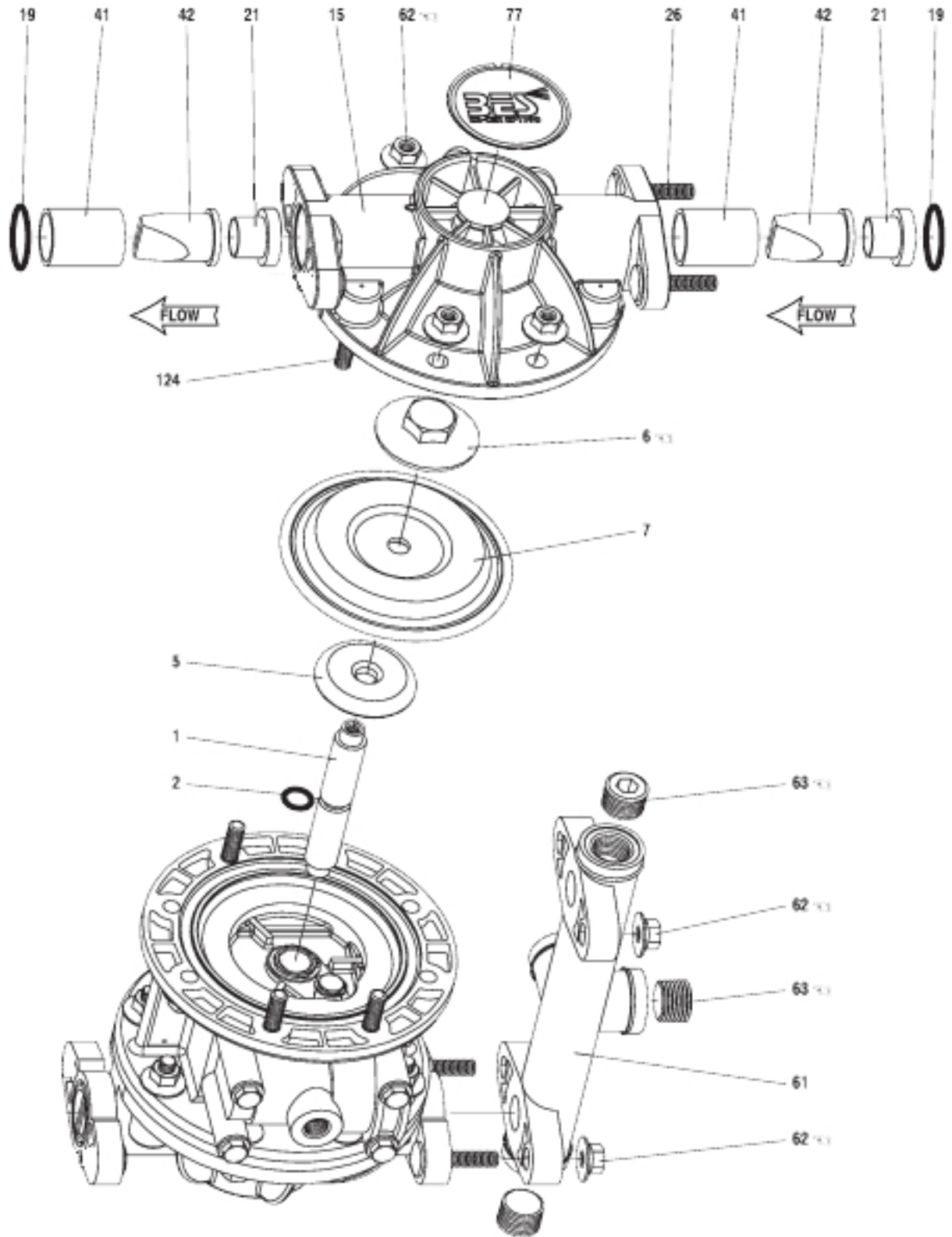
<u>Item Number</u>	<u>Part Number</u>	<u>Description</u>	<u>Qty</u>
1	13-056	1/2" Pump	1
2	16-013T	Pump Tee air fitting	1
3	10-304	1" x 3/4" fluid fitting quick connect	1
4	16-413	3/4" x 4-1/2" Material tube	1
5	16-403	1/2" x 3/4" adapter	1
6	13-067T	Mini regulator	1
7	N/A	Mini regulator mounting nut	1
8	16-066T	1/4" x 1/4" air fitting	3
9	16-411	Push retainer for stud	4
10	16-402	Tank base	1
11	19-157	1/4" Tee	2
12	16-406T	3/8" Air fitting	1
13	N/A	Nut and washer for 18-108	2
14	13-068	Safety air valve	1
15	18-108	Bulkhead Connector	2
16	13-073	Air fitting	1
17	16-405T	3/8" air fitting	1
18	10-123	1/4" Air fitting	1
19	16-410	5/16"-18 x 5/8" bolt	4

G5 upper assembly



<u>Item Number</u>	<u>Part Number</u>	<u>Description</u>	<u>Qty</u>
1	N/A	Lid	1
2	16-412	Handle lock	2
3	16-407	Handle	1
4	16-401	5 Gallon tank	1
5	16-409	Stud	4
6	12-210	Nut	4

FLUID SECTION PARTS LIST



TORQUE REQUIREMENTS

NOTE: DO NOT OVERTIGHTEN FASTENERS

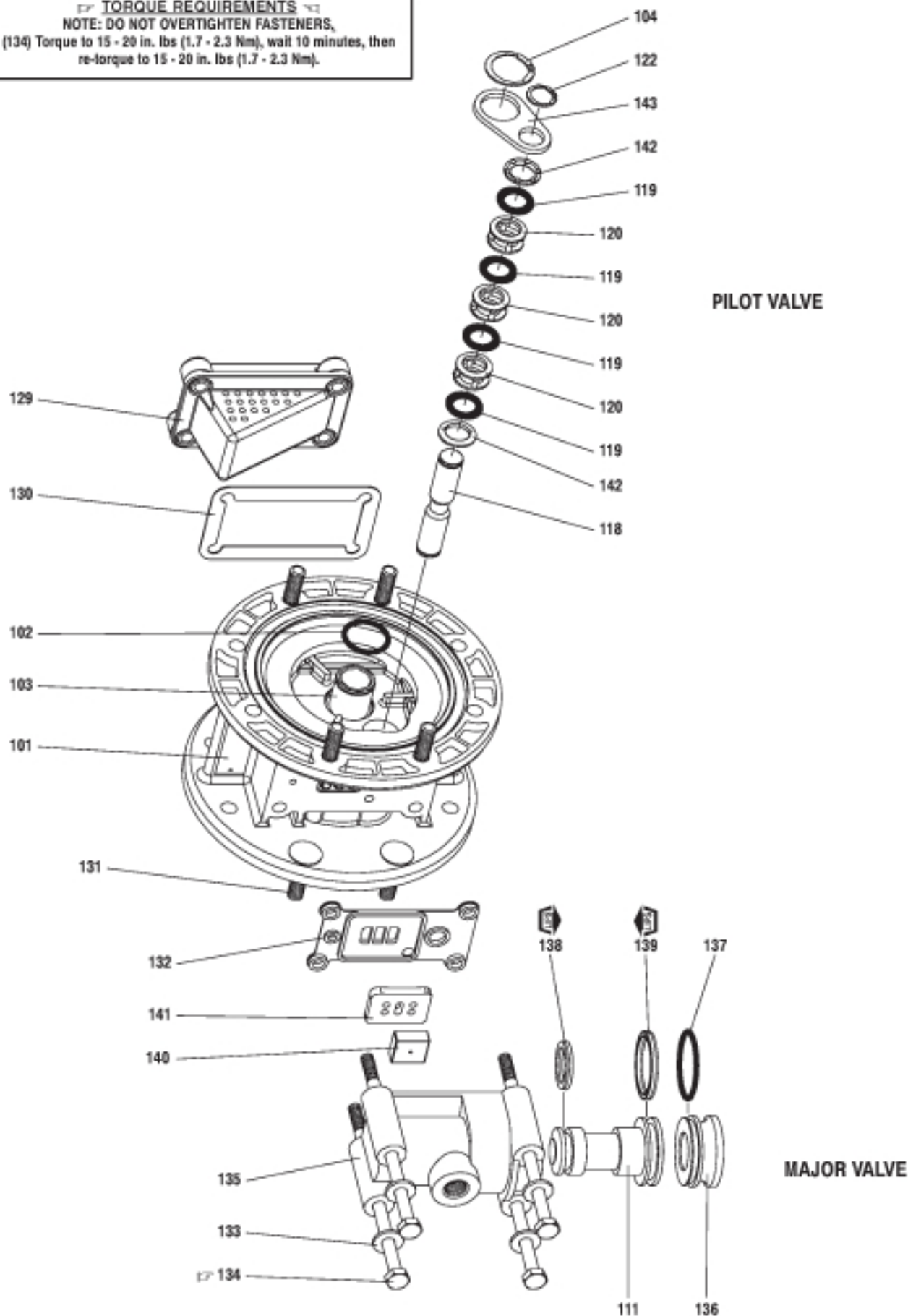
- (6) Diaphragm nut 95 - 105 in. lbs (10.7 - 11.9 Nm).
- (62) Fluid caps / Manifold nuts 50 - 60 in. lbs (5.6 - 6.8 Nm), / alternately and evenly, then re-torque after initial run-in.
- (63) Plugs 25 in. lbs (2.8 Nm) maximum.

Note: Item #61 will mount on other side of the pump.

AIR SECTION PARTS LIST

TORQUE REQUIREMENTS

NOTE: DO NOT OVERTIGHTEN FASTENERS,
 (134) Torque to 15 - 20 in. lbs (1.7 - 2.3 Nm), wait 10 minutes, then
 re-torque to 15 - 20 in. lbs (1.7 - 2.3 Nm).



AIR SECTION PARTS LIST

Item	Part Number	Description	Qty
101	12-048	Motor Body	1
102	12-029*	"O" Ring	2
103	12-028	Sleeve	1
104	12-041	Snap Ring	2
111	12-036	Spool	1
118	12-047	Pilot Rod	1
119	12-046*	"O" Ring	4
120	12-045	Spacer	3
122	12-042*	Snap Ring	2
129	12-026	Muffler Assembly	1
130	12-027*	Gasket	1
131	12-049	Bolt	8
132	12-030*	Gasket	1
133	12-033	Washer	4
134	12-034	Bolt	4
135	12-035	Valve Block	1
136	12-039	Plug	1
137	12-038*	"O" Ring	1
138	12-037*	Packing "U" Cup	1
139	12-040*	Packing "U" Cup	1
140	12-032*	Valve Insert	1
141	12-031*	Valve Plate	1
142	12-044	Washer	2
143	12-043	Plate	2

Note: 12-051 Air Motor Repair Kit (Includes All Parts Marked With *)

FLUID SECTION PARTS LIST

Item	Part Number	Description	Qty
1	12-006	Rod	1
2	12-004	"O" Ring	1
5	12-005	Washer	2
6	12-008	Diaphragm Nut	2
7	12-007	Diaphragm	2
15	12-009	Fluid Cap	2
19	12-016	"O" Ring	4
21	12-019	Insert	4
26	12-049	Bolt	8
41	12-017	Sleeve	4
42	12-018	Duckbill	4
61	12-015	Manifold	2
62	12-010	Flange Nut	24
63	12-012	Plug	6
124	12-049	Stud	8

G5 Warranty

All products manufactured by Benron Equipment & Supply, Inc. are warranted to the original purchaser against defects in material and workmanship at the time of sale by an authorized Benron Equipment & Supply distributor and for a period of 12 months from date of purchase. This warranty applies only if the product is operated and maintained in accordance with Benron's written instructions.

Benron will repair or replace any part of the equipment proven defective. Repair or replacement under this warranty shall be the purchaser's sole remedy for breach of this warranty. Benron Equipment and Supply will not be responsible for any downtime resulting from breakdown or for cost of rental equipment while repairs are being made.

This warranty does not cover damage to the product resulting from improper use, accident, user's negligence, or if the product has not been operated or installed in accordance with Benron's recommendations. This warranty does not cover damages caused by service or repair performed by other than a Benron authorized repair center. Benron is not liable for incidental or consequential damages or to damages to other properties caused by use of the product in a faulty condition or manner.

Any implied warranty of merchantability or fitness for a particular purpose is limited to 90 days for professional rental use, and for One year (12 months) for professional contractor use, from date of purchase. Some states do not allow limitations on how long implied warranty lasts so above limitations may not apply to you.

If product is defective in material or workmanship during the warranty period, return it with proof of purchase to Benron Equipment & Supply, Inc. or to Benron authorized warranty service center, for verification of claimed defect. If the alleged defect is verified, Benron will repair or replace (at Benron's option) any defective parts, and will return the product, transportation prepaid. If no defects in material or workmanship are found, Benron will repair the product at a reasonable charge. Charges may include the cost of parts, labor, and freight.

Two year limited warranty, excluding consumable components.

The items, which are not covered, are:

Spray tips, Gun needle, Guns packing kit, ball valves, Material hose, Air hose and control cords.

This warranty does not cover damage or defects caused by or related to Abrasion, Corrosion, Abuse, Misuse, Negligence, Accident, Normal wear, Faulty Installation or tampering in manner which impairs normal operation.

All warrantee clime on the Honda engine will process by only Honda authorize repair center only with prove of purchase of the original receipt.

Benron equipment & Supply, Inc.

15823 Stagg Street Van Nuys, CA 91406

In USA Call: 1 (888) EASY-TEX (888 327-9839)

In California Call: (818) 787-4455

Fax: (818) 787-8866